

STEP 6: ARM ADJUSTMENTS

M2 INSTALLATION HARDWARE

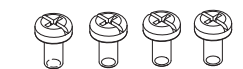
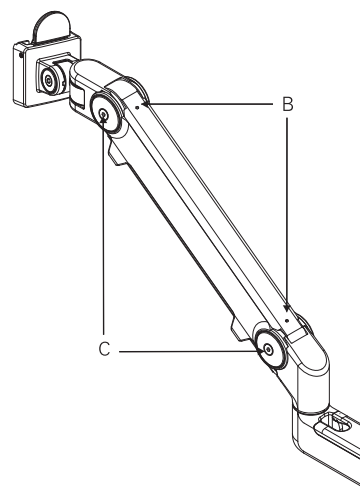
**WEIGHT ADJUSTMENT**

Your monitor should move up and down easily and should stay in place once adjusted. If it is difficult to adjust or moves without assistance, it is not properly counterbalanced. **Monitor should not exceed 20 lbs.**

1. Use Hex Key C to loosen the two side screws (C) on the dynamic arm's joints. Then use Hex Key B to loosen the two top screws (B) on the dynamic arm.
2. Tighten the two side screws (C) to achieve the force needed to hold the monitor weight. After tightening the side screws to the desired amount, tighten the two top screws (B) firmly to hold the adjustment.

*Note: Do not overtighten the screws as it can damage the screw head or threads.*

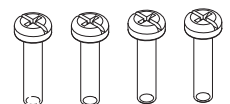
3. Move the monitor around to ensure that movement is smooth and the arm functions as desired. If required, repeat steps 1 and 2 (in order) to adjust the force as needed.



4 Standard VESA Bracket Screws



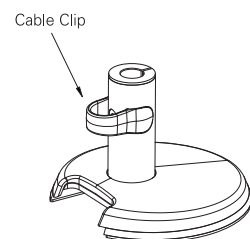
Base Stem Screw



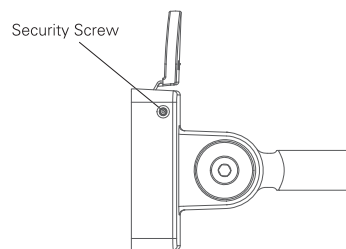
4 Extended VESA Bracket Screws



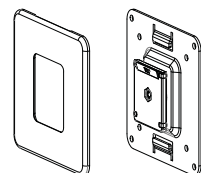
4 Plastic Spacers



Cable Clip



Security Screw



VESA Bracket



Hex Key A (2mm)



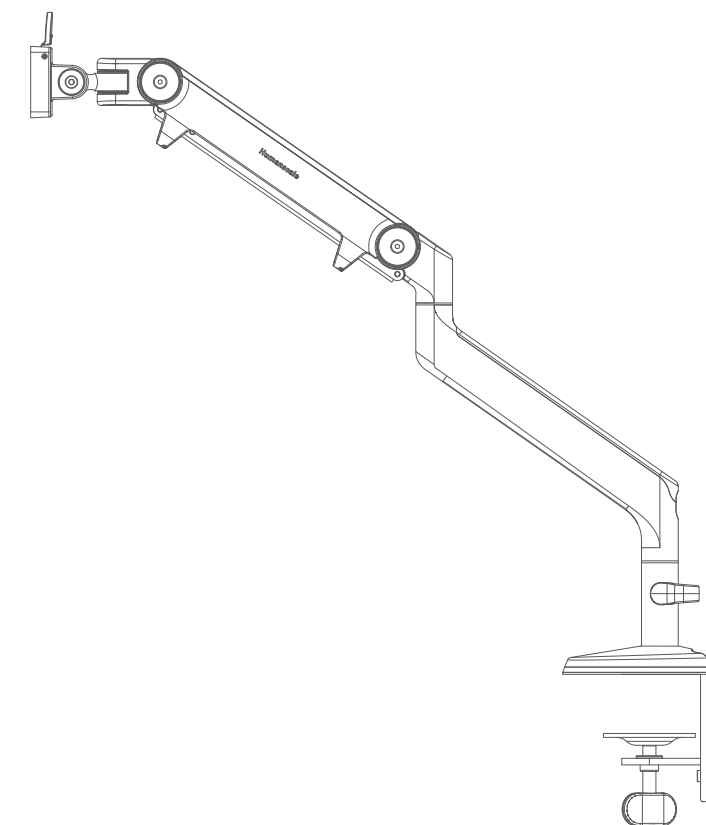
Hex Key B (3mm)



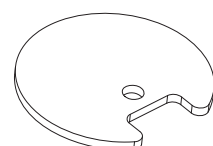
Hex Key C (4mm)



www.humanscale.com



**Bolt-Through Mount**

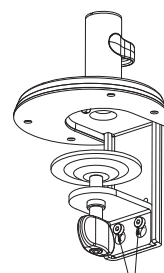


Bolt-Through Plate



Bolt-Through Bolt

**Clamp Mount**



Bracket Screws



Witteveen Projectinrichting  
 Ouderkerk a/d Amstel  
 Tel: 020 - 496 5030  
 info@witteveen.nl  
 www.ergonomics.nl  
 www.project-inrichting.nl

# M2 Installation Instructions



## STEP 1: ATTACH MOUNT TO WORK SURFACE

### CLAMP/GROMMET MOUNT

#### a. For installation on open edge of work surface:

- Slide Mount (A) against work surface edge and fully tighten Clamp Screw (B).

*Note: If work surface is too thin to attach Mount at default setting, proceed to Step c.*

- Proceed to Step 2.

#### b. For installation through a grommet hole:

- Insert Mount (A) through grommet (B) and against work surface edge. Position Mount so that front of Base faces the user. Fully tighten Clamp Screw.

*Note: If Mount will not fit through grommet hole, proceed to Step c, mounting on inside edge of grommet hole.*

- Proceed to Step 2.

#### c. For installation on work surface positioned against a wall or panel:

- Attach arm to Base Stem following Step 2 instructions before proceeding below.

- Detach the Bottom Clamp (A) from the Top Bracket (B) by loosening Bracket Screws (C) with Hex Key C.

- Position the Top Bracket against work surface edge.

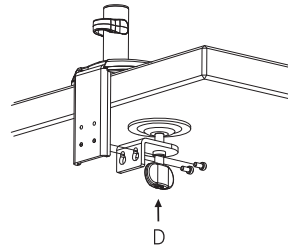
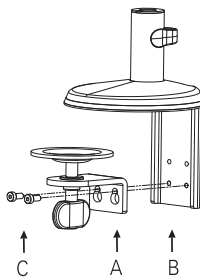
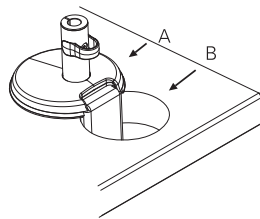
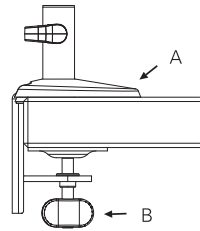
- Underneath the work surface, reattach the Bottom Clamp to the Top Bracket using the Bracket Screws.

*Note: There are two sets of holes for different surface thicknesses. Use the set of holes that allow the Clamp Screw to fully tighten.*

- Fully tighten Clamp Screw (D).

- Proceed to Step 2.

*Note: Clamp Mounts cannot be used to mount the M2 to any vertical surface.*



## BOLT-THROUGH MOUNT

#### a. If both desk mount options were purchased, begin with Step i below. Otherwise, proceed to Step iii.

- Detach the Bottom Clamp (A) from the Top Bracket (B) by loosening Bracket Screws (C) with Hex Key C.

- Using an M6 Hex Key (not included), remove Mount Attachment Screw (D) from Mount.

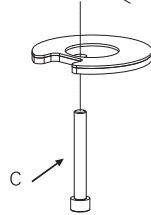
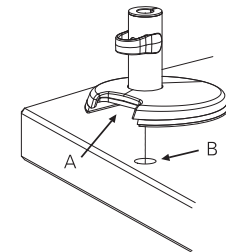
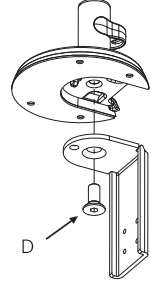
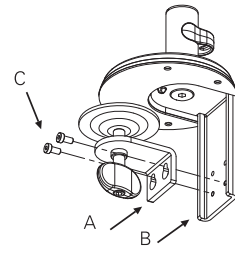
- Drill 1/2" hole through work surface in desired location.

*Note: The Bolt-Through Mount may also be accommodated by a larger drilled hole or grommet hole up to 3" in diameter for cable management (A) behind the Arm and through the hole to the underside of the work surface.*

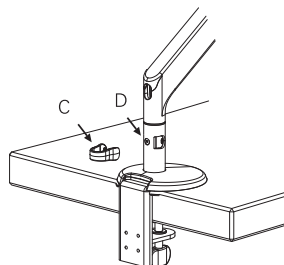
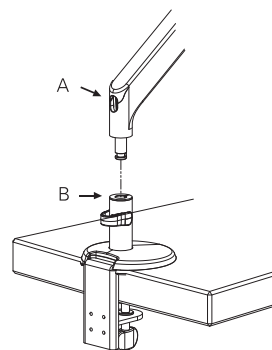
- Position the M2 Base over the work surface hole (B).

- Align Bolt-Through Plate, foam side up, under the work surface. Pass the Bolt-Through Bolt (C) through the hole in the plate and screw into M2 Base. Using an M8 Hex Key (not included), fully tighten until secure.

- Proceed to Step 2



## STEP 2: ATTACH ARM TO BASE STEM

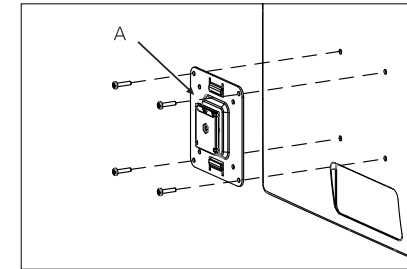


- Insert M2 Arm (A) into the Base Stem (B).

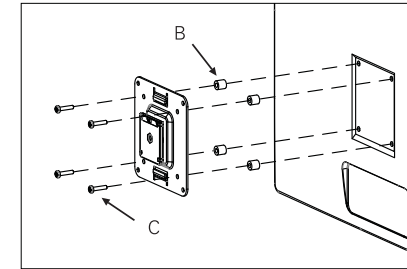
- Remove Cable Clip (C) located on Base Stem and using Hex Key B tighten the Base Stem Screw (D) to fully secure Arm to Base. Replace Cable Clip once Arm is secure.

## STEP 3: ATTACH VESA BRACKET TO MONITOR

- Place VESA Bracket in position on back of monitor with lip (A) toward top of monitor and attach using 4 screws provided. VESA Bracket can accommodate 75mm or 100mm hole patterns. For this, you may also use screws that came with your monitor.

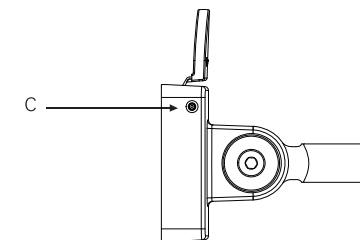
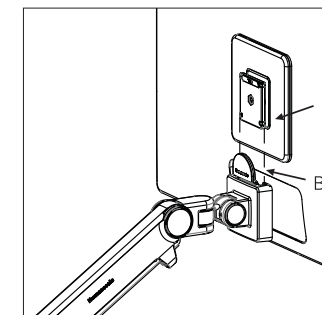


- If mounting space for 75mm VESA Bracket is inset into back of monitor, place the 4 Plastic Spacers (B) between VESA Bracket and monitor (align with hole pattern), and using the Extended VESA Screws (C), attach through the Spacers.



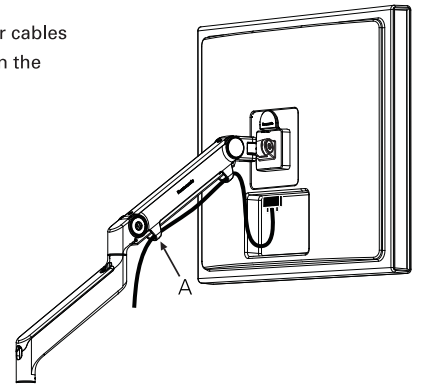
## STEP 4: ATTACH MONITOR TO ARM

- Slide VESA Bracket (A) into clip until it clicks.
- To remove, depress Quick-Release Tab (B) and slide monitor up and away from Arm.
- If security is required, tighten Security Screw (C) using Hex Key A.



## STEP 5: CABLE MANAGEMENT

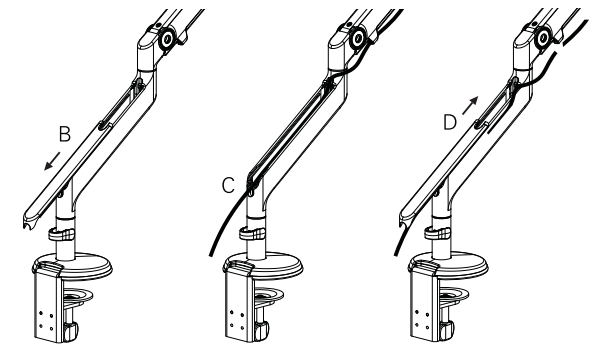
- Route power and monitor cables through the cable clips on the M2's upper link (A).



- Slide the plastic cover on the lower link downward until it disengages, then remove (B).

- Route cables inside the lower link (C).

- Place the plastic cover back onto the lower link and slide upward until it clicks into place (D).



- Remove the cable clip on the base stem (E) then reattach over the cables to secure them in place (F).

