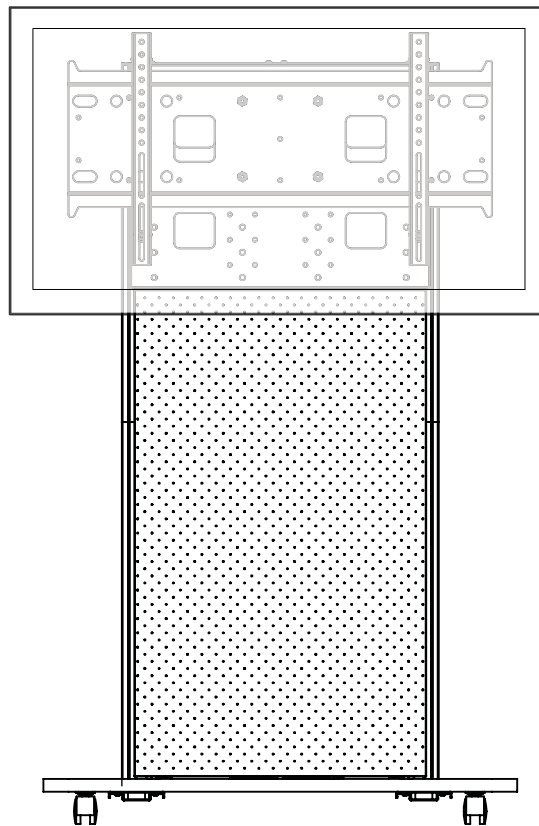




Audio visual solutions

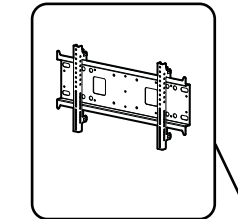
Installation instructions for AVALL Standard



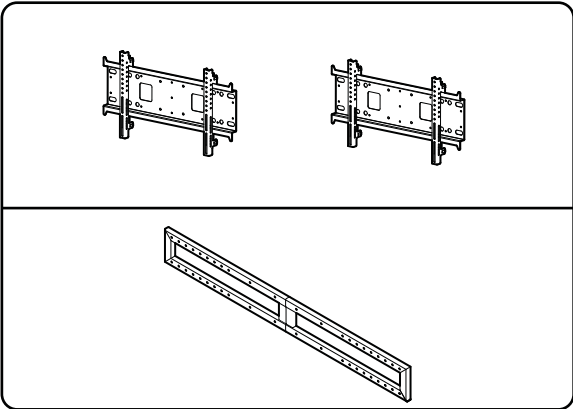
AVS-001-INST-A SEP 2012



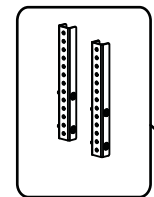
AVALL STANDARD DIAGRAM WITH ALL COMPONENTS FOR RACK ASSEMBLY



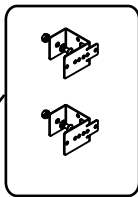
Single screen mount



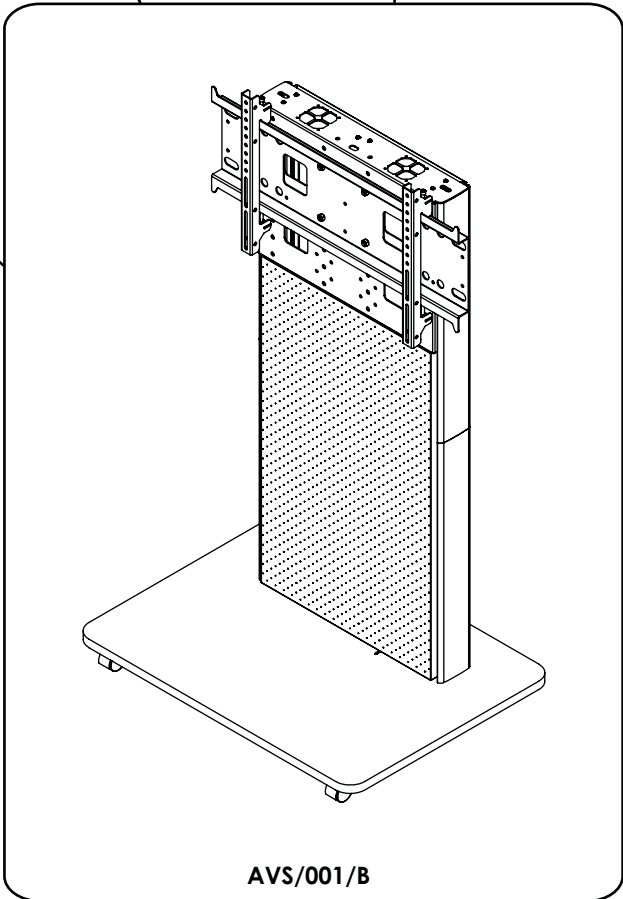
Double screen mount



Monitor Mount



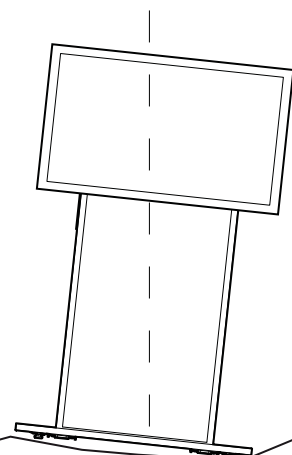
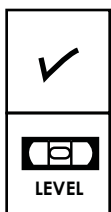
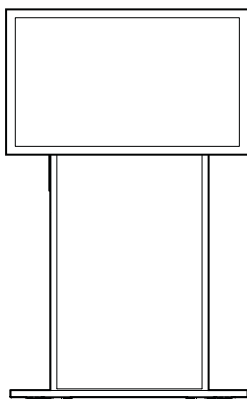
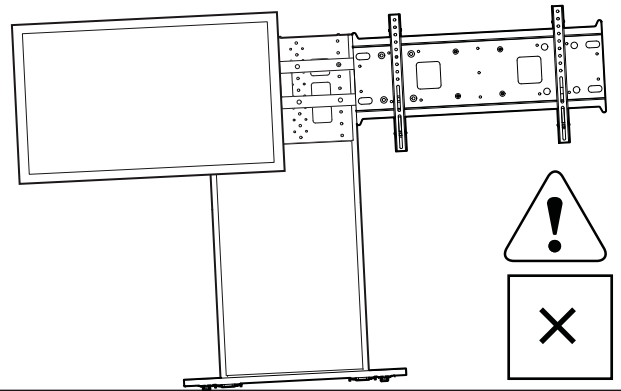
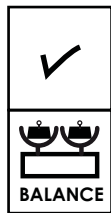
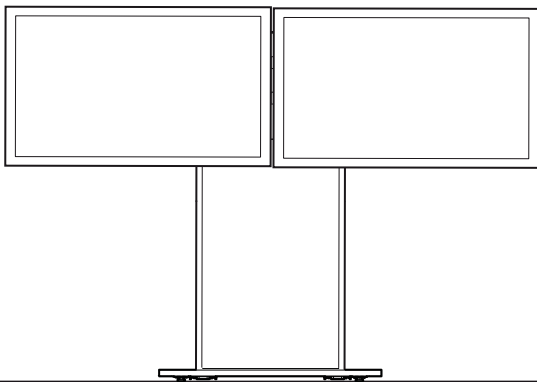
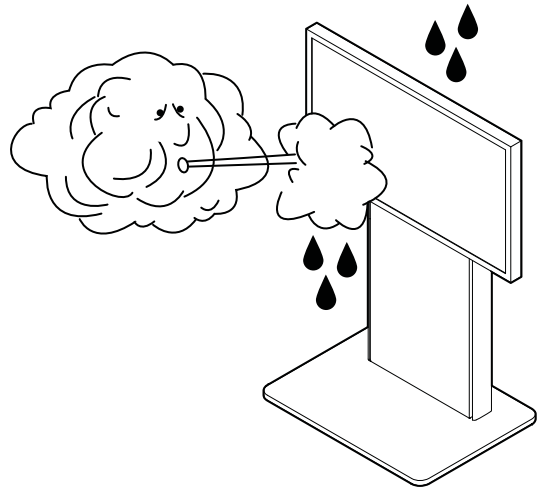
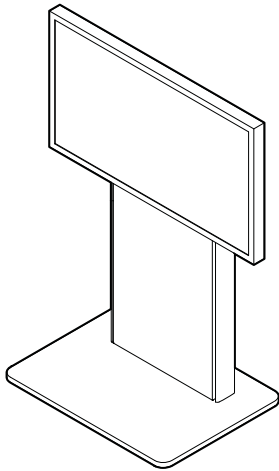
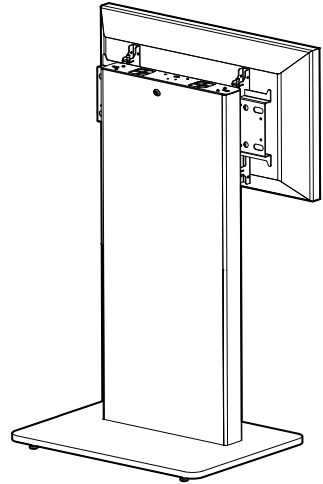
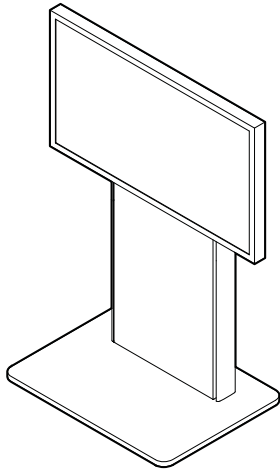
Base Column



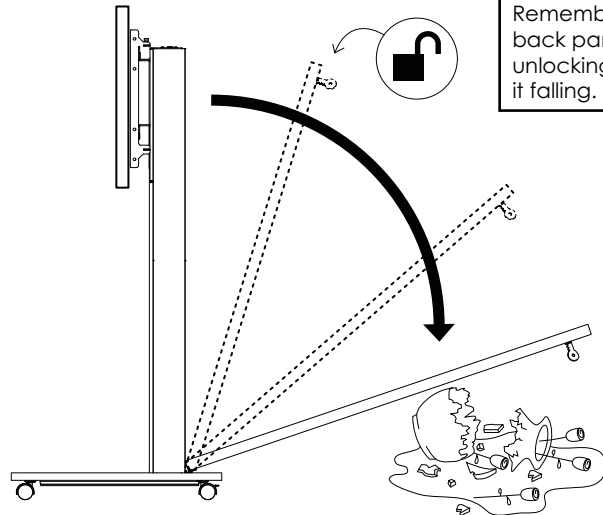
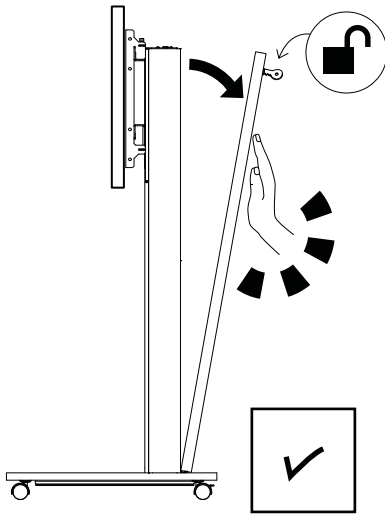
AVS/001/B

Base Column

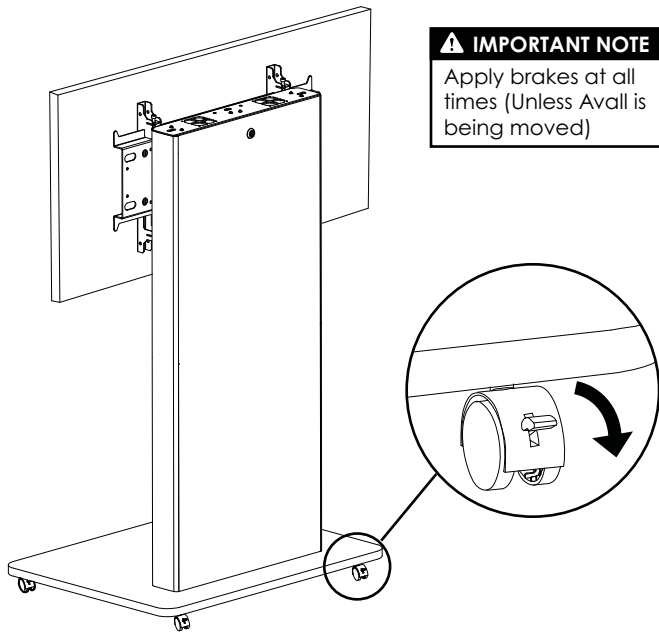
 **SOME IMPORTANT PRECAUTIONS**



! SOME IMPORTANT PRECAUTIONS

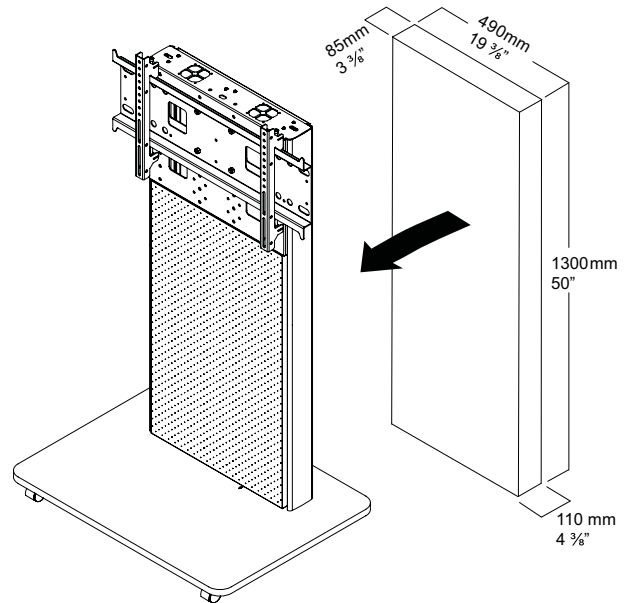


! IMPORTANT NOTE
Remember to support back panel when unlocking to prevent it falling.



! IMPORTANT NOTE
Apply brakes at all times (Unless Avall is being moved)

Internal Equipment Space



! WARNING

- Do not install monitors / displays heavier than 60kg/132lb. Total weight of installed equipment must not exceed 120kg/264lb, symmetrically distributed.
- Use with products heavier than the maximum weights indicated may result in instability causing possible injury.
- Correct installation is essential to safe and reliable operation of the AVALL product and falls outside the scope of responsibility of Colebrook Bosson Saunders. Please follow assembly instructions carefully.
- Do not use this product for any purpose other than that for which it was designed.
- Ensure that floor or wall surface is strong enough to support the weight of the fully-loaded AVALL and that the floor surface is flat and level.
- Do not install AVALL outdoors or in environments where it will be directly exposed to moisture or high winds.
- Follow the manufacturer's guidance for mounting of monitors, displays and other equipment.
- Please take care to avoid trapping fingers when installing or adjusting the product.

! ELECTRICAL SAFETY

- Safe installation of electrical equipment is the responsibility of the installer.
- Colebrook Bosson Saunders recommends that only double-insulated electrical equipment and cables are installed in AVALL unit.

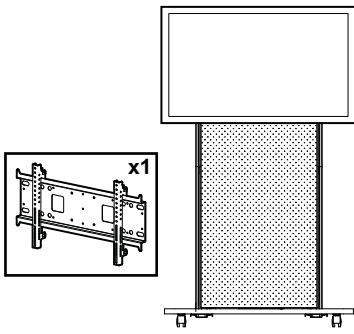
! MAINTENANCE and INSPECTION

- Ensure all screws and fixings are fully tightened and occasionally re-tighten if necessary.
- Clean with a damp cloth. DO NOT use solvents.

! PATENT and REGISTRATION

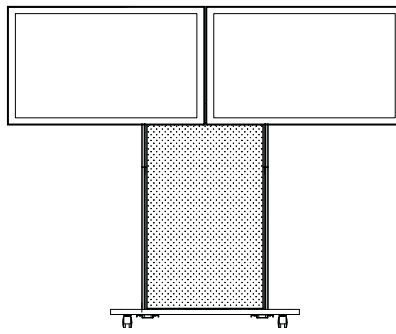
- Patents and design registration applied for.

1 Fix a single screen mount on Avall
FOR SINGLE SCREEN MOUNT



← OR →

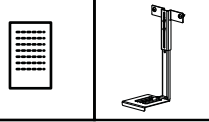
FOR DOUBLE SCREEN MOUNT



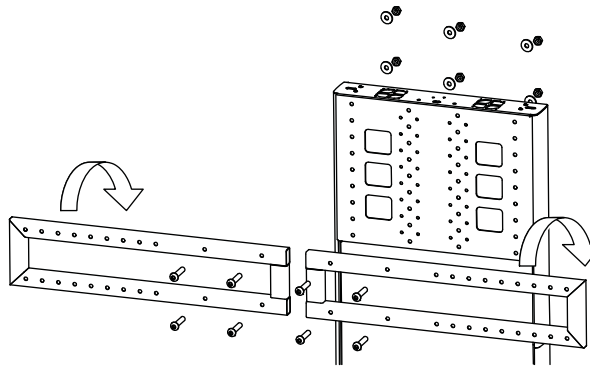
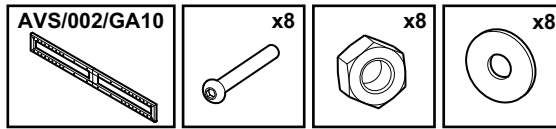
OPTIONAL ACCESSORY

AVS/003/A11

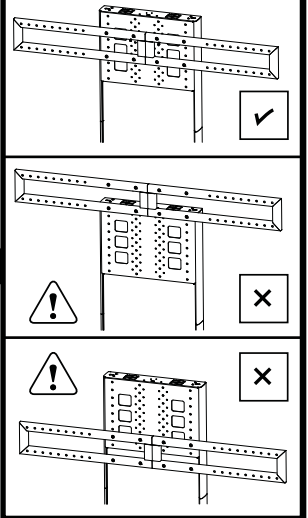
If installing Camera Mount do so at this stage.
 See separate Camera Mount instructions.



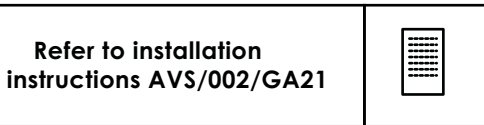
1b Fix double screen mount frames to AVALL



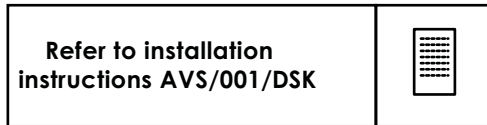
IMPORTANT NOTE
ALWAYS USE ALL 8 FIXINGS



1a Fix screen mounts to frames

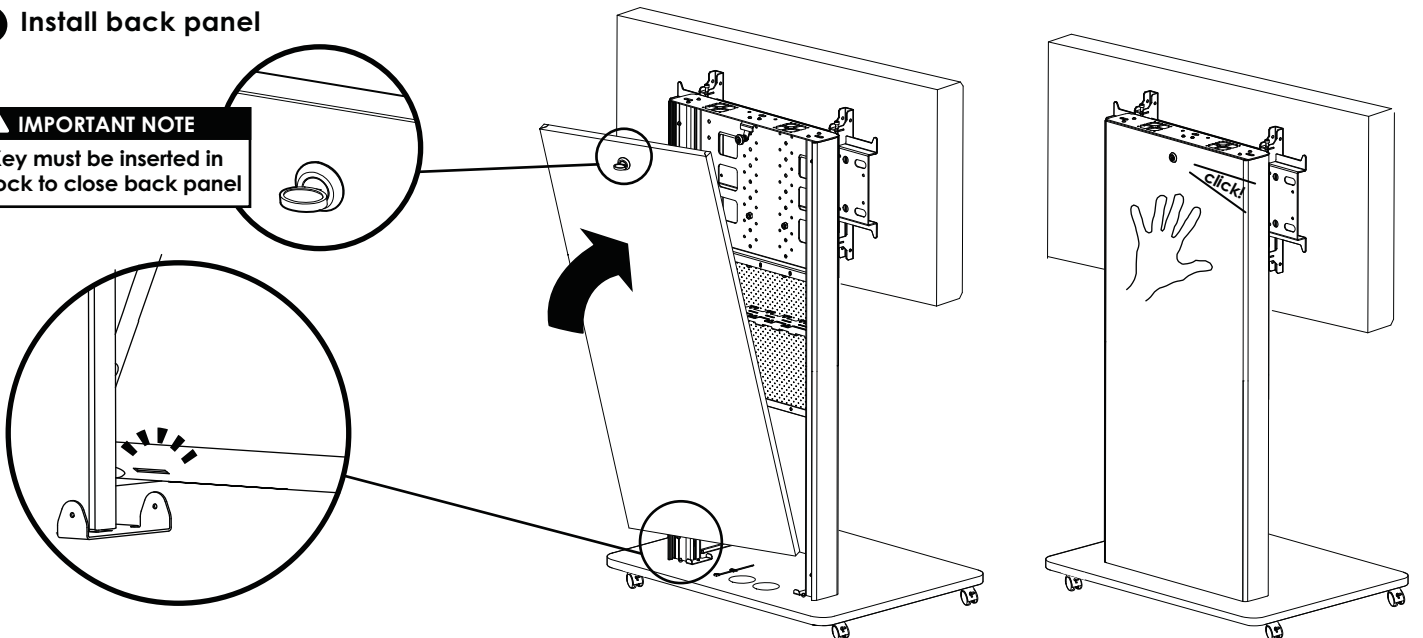


1c Fix screen mounts to frames

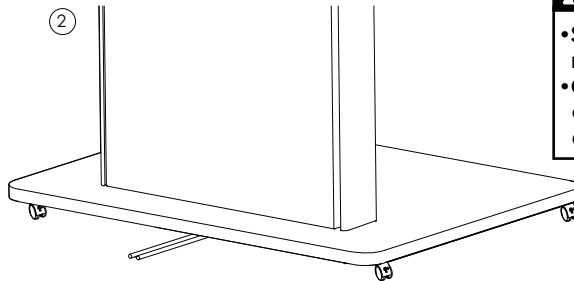
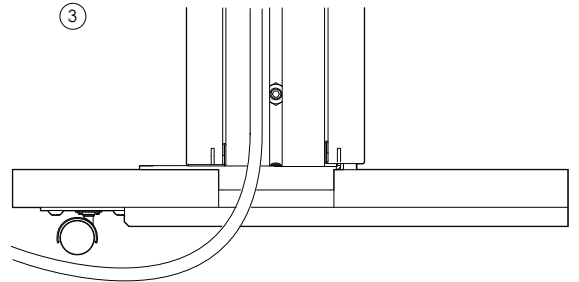
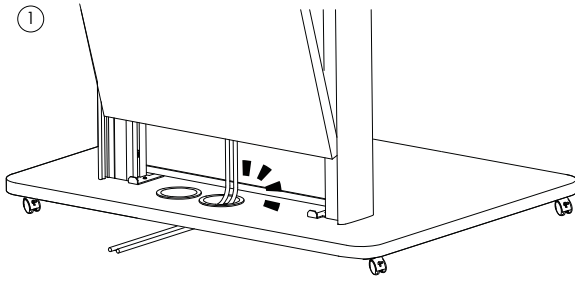


2a Install back panel

IMPORTANT NOTE
 Key must be inserted in lock to close back panel



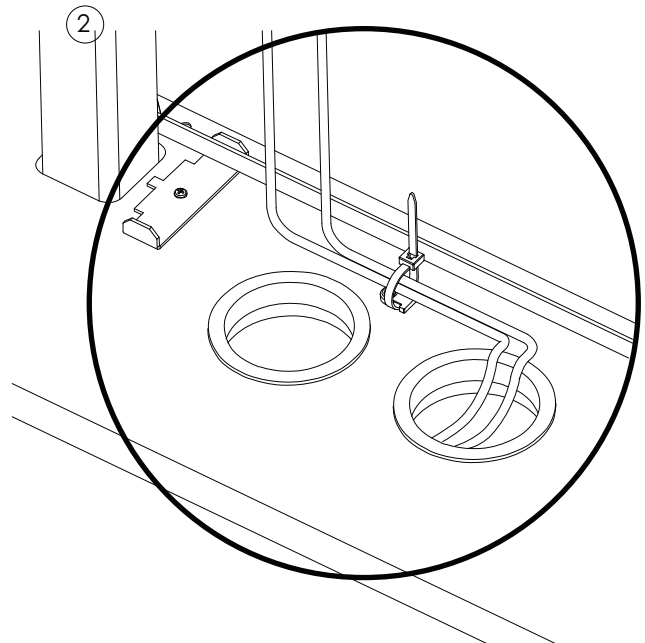
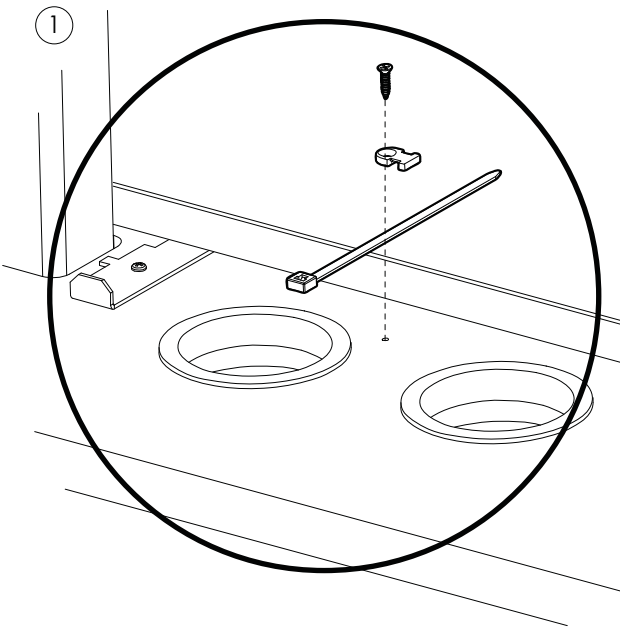
2b Cable management



⚠ IMPORTANT NOTE

- Safe installation of electrical equipment is the responsibility of the installer.
- Colebrook Bosson Saunders recommends that only double-insulated electrical equipment and cables are installed in AVALL unit.

3 Optional cable strain relief



4 Fine adjustment of lock panel

💡 USEFUL TIP

If necessary, adjust position of lock plate to ensure correct latching of lock

