



TECHNICAL SPECIFICATION SHEET

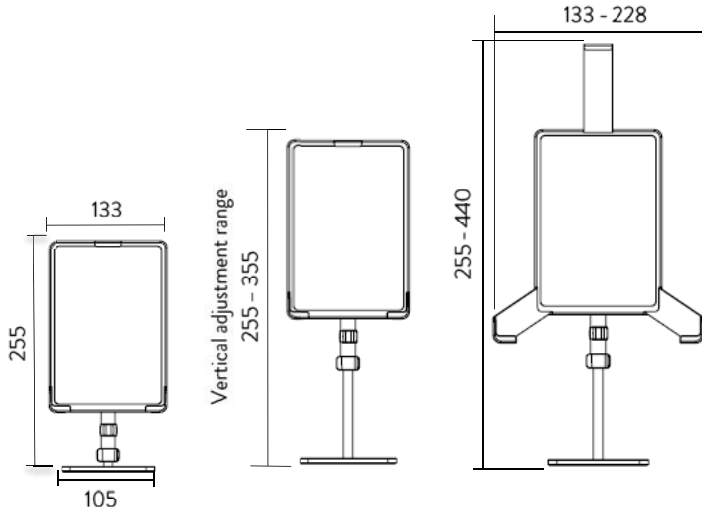
PRODUCT NAME: Tabetha

PRODUCT CODE: TAB/001/W

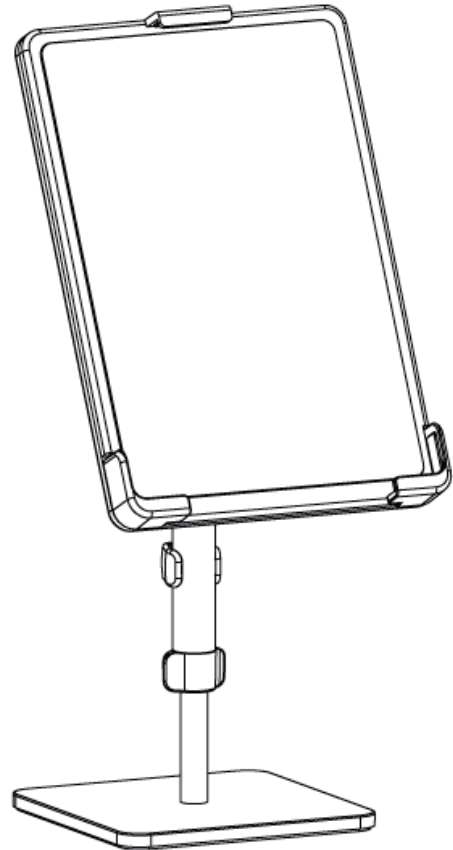
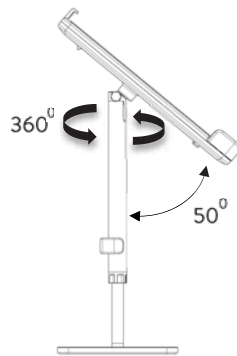
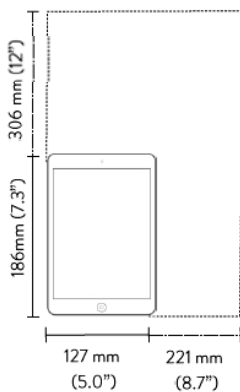
Doc Rev 1

Product Rev:1

01.02.2017 CF.



Min/max tablet dimensions



*Note that dimensions provided are measured in mm

KEY FEATURES

- Portrait/landscape tablet mounting, tilt adjustment and vertical height range
- Three arms are designed to be manually adjusted to fit tablet sizes from 7" to 12.9"
- Two slide buttons in the back secure tablet in place and allow quick release
- Soft pads on mount surface and arms protect tablet from scratches.

Product Classification	Accessories
Max Load	0.8 kg (1.8 lbs)
Tilt Range	From vertical to 50°
Vertical Range	100 mm
Total recycled content	9%
Total product recyclable	100%



LOGISTICAL

Box contains	Tablet holder incl. base, cable management clip, instructions
Product net weight	0.86 kg
Box dims (HxWxD)	267 x 150 x 115 mm
Box gross weight	1.02kg
Carton quantity	6
Master dims (HxWxD)	452 x 282 x 183 mm
Master weight	6.7 kg
Country of origin	China

ORDERING INFORMATION

<u>Product Description</u>	<u>Product code</u>	<u>Colour</u>
Tablet Mount	TAB/001	:/W White

WARRANTY

Warranty Term	5 years
---------------	---------

COMPLIANCE & SAFETY CERTIFICATION

Whilst no mandatory standards apply to the tablet mount product sector, Colebrook Bosson Saunders Tabetha has been designed to confirm the requirements of BS EN ISO 12100-2:2008 Safety of Machinery – Basic Concepts, general principles for design.

Conformance certification	N/A
Test authority	CBS
Safety certification	N/A



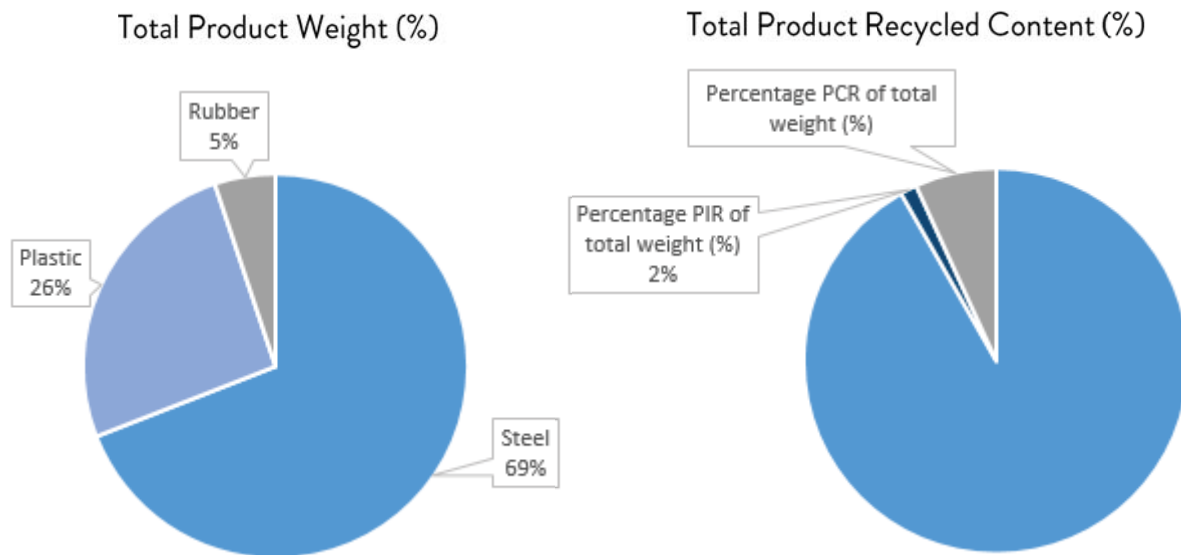
Witteveen Projectinrichting
Ouderkerk a/d Amstel
Tel: 020 - 496 5030
info@witteveen.nl
www.ergonomics.nl
www.project-inrichting.nl



ENVIRONMENTAL

Material Make-up			Total Recycled Content	Breakdown of Recycled Content		Total Recyclable	
Overall Product			Overall Product			Overall Product	
Material type	Total Material type weight (g)	Percentage of Total Product Weight (%)	Material-Type Recycled Content (%)	Percentage PIR of total weight (%)	Percentage PCR of total weight (%)	Total Product Recyclable (g)	Total Product Recyclable (%)
Steel	594	69%	9%	2%	7%	594	69%
Plastic	222	26%	0%	0%	0%	222	26%
Rubber	44	5%	0%	0%	0%	44	5%
Total	860	100%	9%	2%	7%	860	100%

PIR = Post Industrial Recycled
PCR = Post Consumer Recycled



CLEANING, STORAGE & MAINTENANCE

Routine servicing	Periodic inspection
Service components	Available to order
Cleaning & Maintenance	Damp cloth, no abrasives, no solvents to be used on the cosmetic surfaces
Handling & Storage	Do not drop or expose to moisture

Whilst every effort is made to ensure the accuracy of our technical information, Colebrook Bosson Saunders (Products) Ltd accept no liability for the accuracy of the information contained in this document and retain the right to modify the data presented herein without prior notification.

Witteveen Projectinrichting
Ouderkerk a/d Amstel
Tel: 020 - 496 5030
info@witteveen.nl
www.ergonomics.nl
www.project-inrichting.nl

